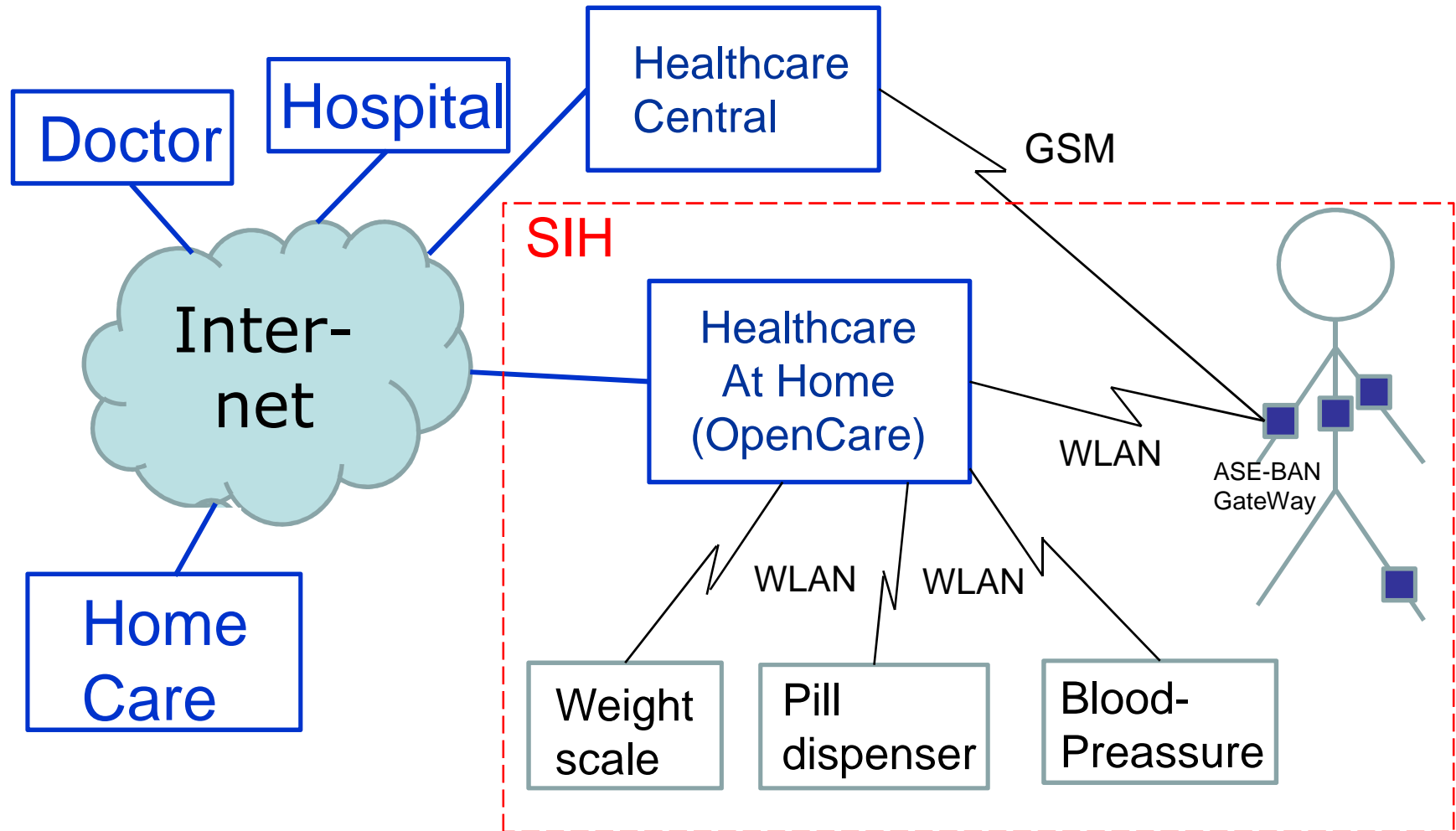


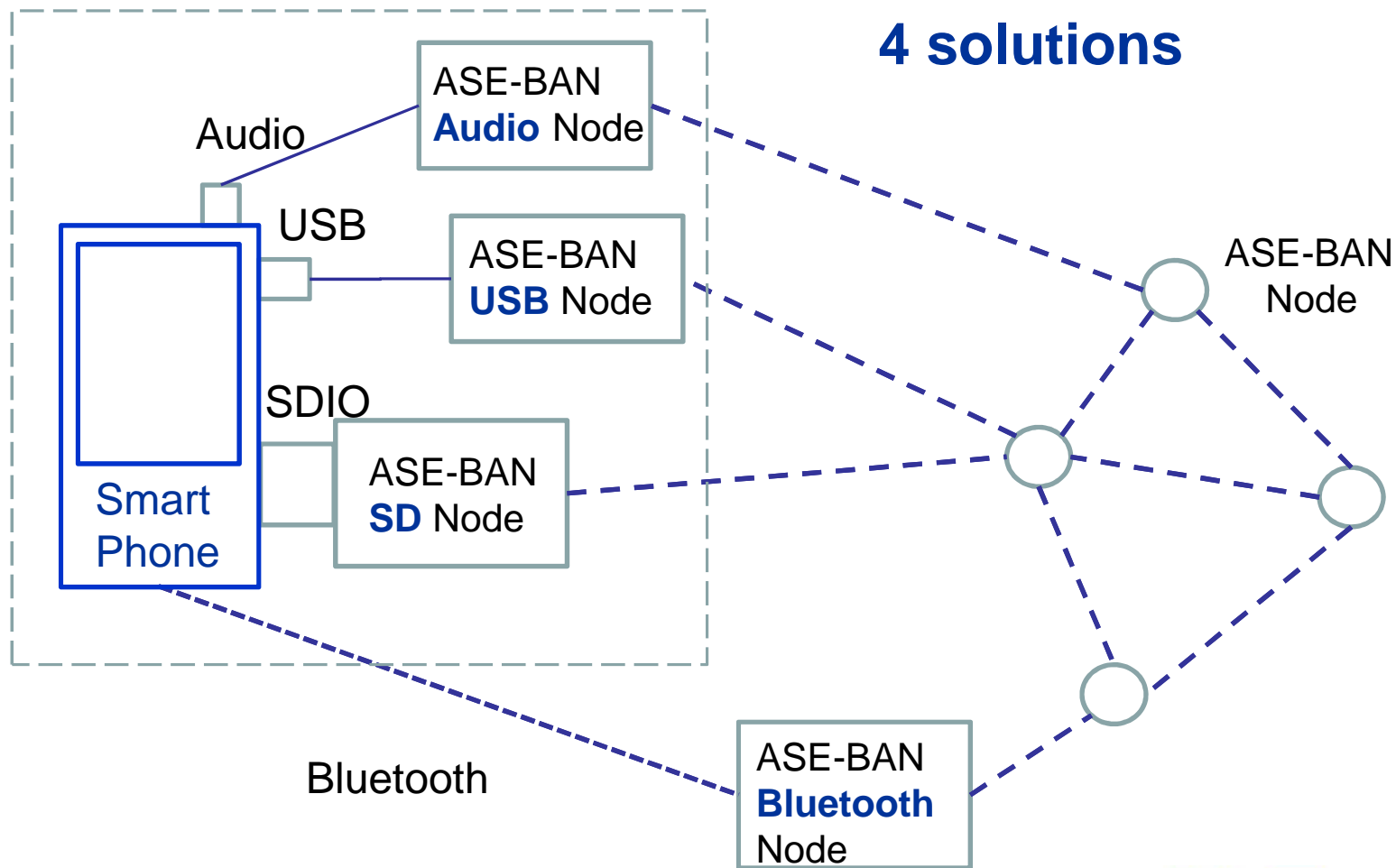
ASE-BAN Gateway

Input from
RHJ, JRT, PHM and FOH

Kontekst for SIH



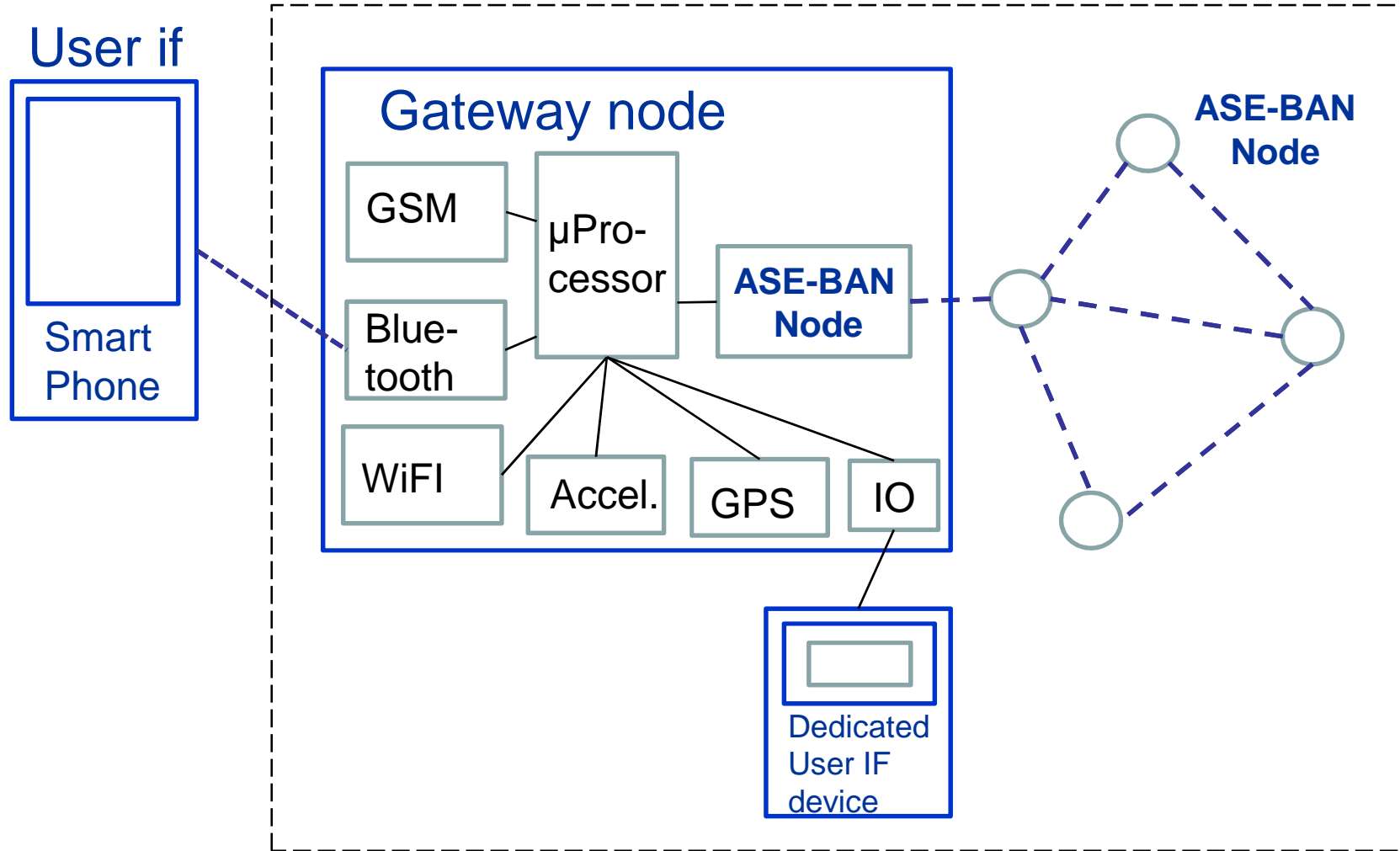
Smart Phone as ASE-BAN 1.5 Gateway



Recommendation

- Priority 1: ASE-BAN Bluetooth node
 - + no wires
 - - requires more power for ASE-BAN node
- Priority 2: ASE-BAN USB node
 - + no bluetooth stack
 - - a Wired node connected to the smart phone,
 - - can't be powered by the wire
- Priority 3: ASE-BAN SD node
 - + can be powerd by the smart phone
 - + can be integrated in the phone
 - - can't use SD memory card
- Priority 4: ASE-BAN audio node
 - - can't use the phone

ASE-BAN 2.0 Dedicated Gateway



Qualcomm platform



On board accelerometer, GPS, Bluetooth

- 3-axis accelerometer (Bosch SMB380)
- Standalone GPS, AGPS, gpsOne™
- Bluetooth 2.0

Data and Voice support

- Voice: 1X, WCDMA and GSM
 - Data: EV-DO Rev A, HSDPA, 1X, GSM and EDGE
- Mobile Person Emergency Response Service (MPERS)

